



C31



K32

ASCO CO₂ Pressure Reducing Valve

The ASCO CO₂ pressure reducing valve is the reliable solution for applications with high flow rates. Made from robust materials such as brass, meehanite, and stainless steel, it impresses with its durability and precision. Its design ensures smooth, quiet operation and a gas-tight shut-off for maximum safety—ideal for daily use in demanding environments.



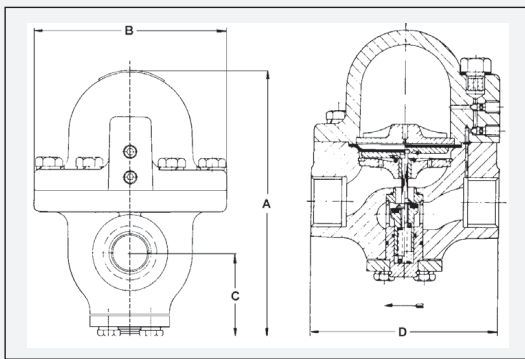
Benefits:

- Robust materials
- Long-lasting seals
- Flexible Installation
- Quiet operation
- Safe shutdown

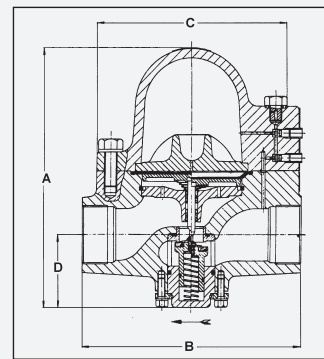
Specifications:

	Type C31 Art.-Nr. 4046817	Type K32 Art.-Nr 4046644
CO₂ gas flow rate per hour calculated at inlet pressure at 18 bar (261)		
outlet at 5 bar (73 psi)	621 kg/Std. (1`369 lb/h)	3`142 kg/Std. (6`927 lb/h)
outlet at 8 bar (116 psi)	621 kg/Std. (1`369 lb/h)	3`142 kg/Std. (6`927 lb/h)
outlet at 10 bar (145 psi)	615 kg/Std. (1`356 lb/h)	3`114 kg/Std. (6`865 lb/h)
Connection	R1"	R2"
Weight approx.	6 kg (13.2 lb)	19 kg (41.9 lb)
Maximum inlet pressure	100 bar (1450 psi)	70 bar (1015 psi)
Maximum outlet pressure	0.5 - 70 bar (7-1015 psi)	0.5 - 70 bar (7-1015 psi)
Ambient/Media temperature	-30 to +130 ° C	-20 to +115 ° C

ASCO CO₂ Pressure Reducing Valve: Dimensions



C31



K32

	Type C31 Art.-Nr. 4046817	Type K32 Art.-Nr 4046644
A	170 mm (6.7 in)	263 mm (10.4 in)
B	126 mm dia. (5 in)	227 mm (9 in)
C	52 mm (2 in)	197 mm (7.8 in)
D	127 mm (5 in)	75 mm (3 in)

ASCO CO₂ Pressure Reducing Valve C31

Art.-Nr. 4046817

ASCO CO₂ Pressure Reducing Valve C31 (Dome Loaded)

for gaseous or liquid CO₂
incl. repair kit (diaphragm and O-ring)
Includes pressure gauge (0-16 bar)



ASCO CO₂ Pressure Reducing Valve K32

Art.-Nr. 4046644

ASCO CO₂ Pressure Reducing Valve K32 (Dome Loaded)

for gaseous or liquid CO₂
incl. repair kit (diaphragm and O-ring)
Includes pressure gauge (0-16 bar)

