

CO₂ Equipment

ASCO CO₂ Pressure Reducing Valve



C31



C2-K32

The ideal and reliable high-flow CO₂ pressure reducing valve for use with CO₂ gas or liquid.

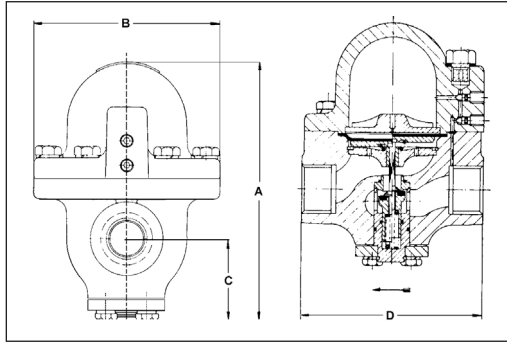
Advantages of a CO₂ pressure reducing valve:

- Constructed in brass (C31) and meehanite (C2-K32) with stainless steel trim
- Abrasion and dirt resistant rubber valve seats
- Dome loading either from inlet line or separate gas supply
- Stable and noiseless operation
- Positive gas-tight shut-off
- High-flow contoured passages

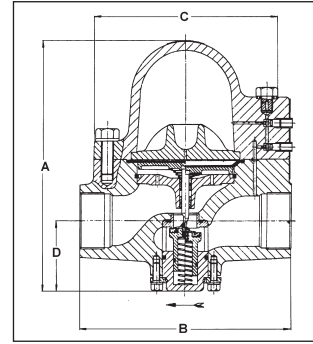
Specifications

	Type C31 part no. 4046817	Type C2-K32 part no. 4046644
CO ₂ gas output per hour calculated at inlet pressure at 18 bar (261 psi)		
• outlet at 5 bar (73 psi)	621 kg/h (1'369 lb/h)	3'142 kg/h (6'927 lb/h)
• outlet at 8 bar (116 psi)	621 kg/h (1'369 lb/h)	3'142 kg/h (6'927 lb/h)
• outlet at 10 bar (145 psi)	615 kg/h (1'356 lb/h)	3'114 kg/h (6'865 lb/h)
Connection	R 1"	R 2"
Weight approx.	6 kg (13.2 lb)	19 kg (41.9 lb)
Maximum inlet pressure	100 bar (1450 psi)	70 bar (1015 psi)
Maximum outlet pressure	0.5 - 70 bar (7-1015 psi)	0.5 - 70 bar (7-1015 psi)

ASCO CO₂ Pressure Reducing Valve: Dimensions



C31



C2-K32

	Type C31 part no. 4046817	Type C2-K32 part no. 4046644
A	170 mm (6.7 in)	263 mm (10.4 in)
B	126 mm dia. (5 in)	227 mm (9 in)
C	52 mm (2 in)	197 mm dia. (7.8 in)
D	127 mm (5 in)	75 mm (3 in)

ASCO CO₂ Pressure Reducing Valve C31: Standard scope of supply

ASCO CO₂ Pressure Reducing Valve C31 (Dome Loaded)

part no. 4046817

for gaseous or liquid CO₂
incl. repair kit (diaphragm and O-ring)



ASCO CO₂ Pressure Reducing Valve C2-K32: Standard scope of supply

ASCO CO₂ Pressure Reducing Valve C2-K32 (Dome Loaded)

part no. 4046644

for gaseous or liquid CO₂
incl. repair kit (diaphragm and O-ring)

