

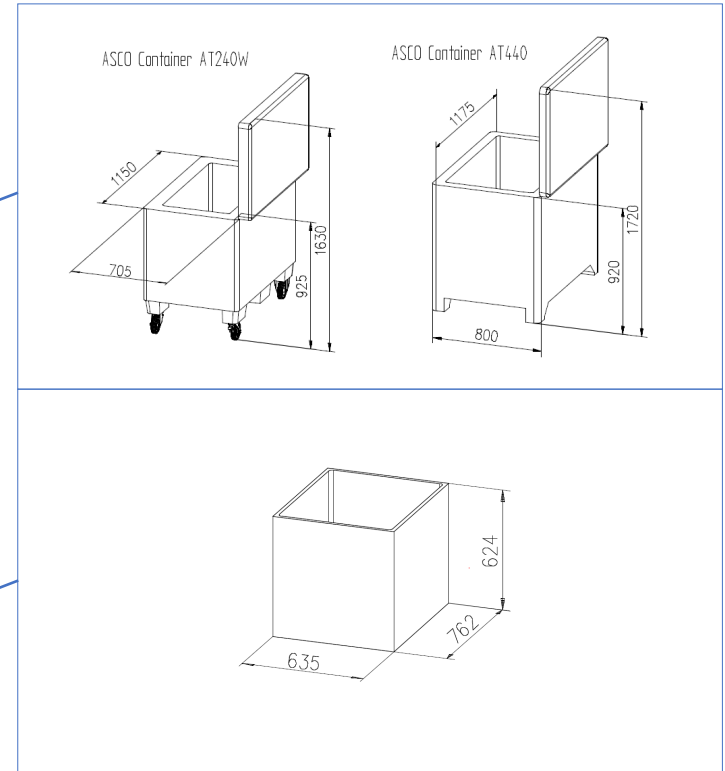
ASCO Dry Ice Repacking and Dosing System

Packaging solution for pharmaceutical, logistic and food industries.

Example „Customized dry ice refilling & dosing for vaccine shipment“:

Configuration:

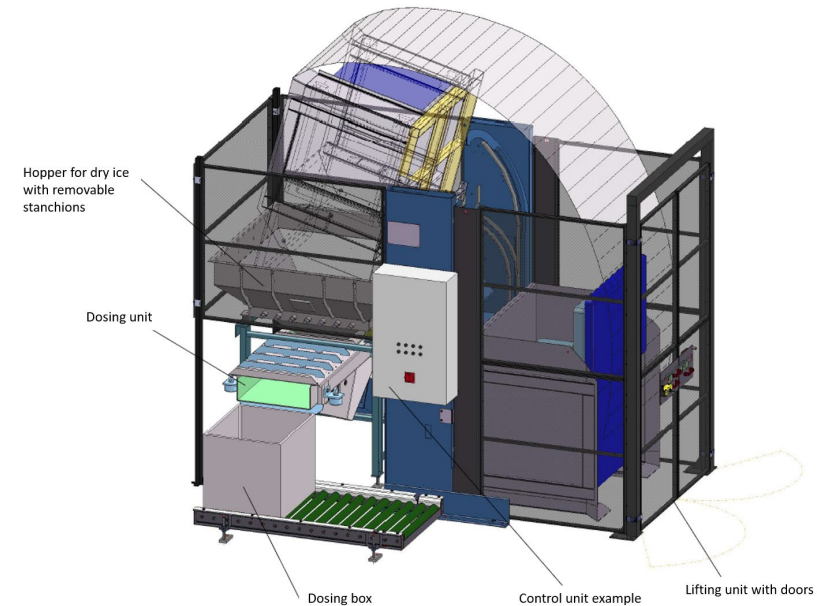
- **Lifting unit for dry ice boxes:** The dry ice boxes are automatically lifted and filled into a bunker with a speed up to 2 boxes per minute. Integrated security doors ensure safe operation and steady workflow. Able to operate both ASCO dry ice box sizes in one unit.
- **Bunker with automatic dry ice dosing unit:** Specially designed stainless steel hopper to buffer approx. 2,5 ASCO AT440 boxes of dry ice or more with integrated weighing. Weigher based dosing through recipes, time cycles or user action.
- **Conveyor system based on capacity requirements:** Manual or automated feed of customer defined dry ice distribution boxes combined with other products.



Example „Customized dry ice refilling & dosing for vaccine shipment“:

Steps:

1. **Automated lifting and tipping of boxes.** The delivered box filled with dry ice is placed in the lifting unit by forklift. Box moves upwards for tipping.
2. **Dosing and inserting vaccine into the box.** Pre-filling with dry ice and placing the vaccine doses on dry ice by hand. Recipes and cycles can be defined freely.
3. **Second automated filling of boxes.** After being filled up with dry ice the box is moved forward for further handling (closing of box, sealing etc.).



Suggested equipment for the filling unit:



ASCO AT240W

Capacity: approx. 240 litres (8.48 ft³)

Inner dimensions (L × W × H):

940 × 500 × 530 mm (37 × 20 × 21 in)

Outer dimensions (L × W × H):

1'150 × 705 × 1'020 mm (45.3 × 28 × 40 in)



ASCO AT440

Capacity: approx. 440 litres (15.54 ft³)

Inner dimensions (L × W × H):

1'025 × 650 × 655 mm (40 × 26 × 26 in)

Outer dimensions (L × W × H):

1'175 × 800 × 990 mm (46 × 32 × 39 in)



ASCO P28i

Production Capacity: 280 kg/h or 600 lb/h

Pellet diameters: 3, 10, 16 mm or 1/8, 3/8, 5/8 inch

Looking for your own dry ice production?

All ASCO employees are happy to assist you with your individual requirements!

Contact us:

Phone: +41 71 466 80 80

Phone (USA): +1 (877) 633-0996 (Toll free)

Mail: Fabian.Weber@ascoco2.com

Web: www.ascoco2.com

